

ASK TRANSMITTER 50 Ω Output

868.3 MHz – 5 V Version / Cod.3-2000615V5

DESCRIPTION:

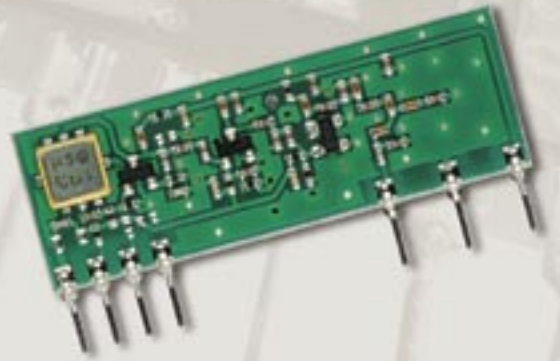
ASK transmitter with SAW resonator, manufactured in SMT technology on printed circuit. Double amplifier stage to improve output power to 25 mW (+14 dBm).

HIGHLIGHTS:

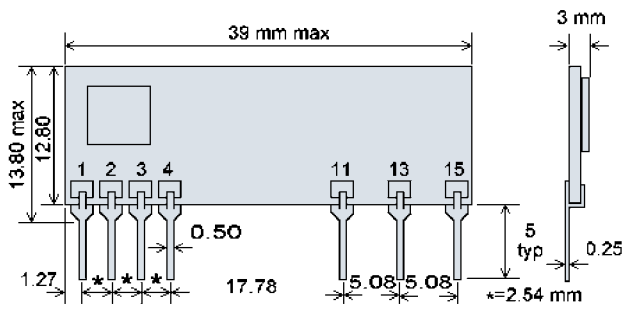
High output power with low supply voltage.
Developed according to I-ETS 300 220 and ETS 300 683 European Standard.

APPLICATIONS:

Domestic Security, Surveillance Systems, Automation, Data Transmission.



MECHANICAL CHARACTERISTICS



Pin functions

- 1 = GND
- 2 = Tx DATA (0 - 5 Volt)
- 3 = NOT CONNECTED
- 4 = GND
- 11 = RF Output (50Ω)
- 13 = GND
- 15 = +Vcc

ABS. MAX. RATINGS

Power Supply, +Vcc, pin 15:	+ 10 Volt
Storage Temperature:	- 40 ÷ + 100 °C
Operating Temperature:	- 20 ÷ + 70 °C

ELECTRICAL CHARACTERISTICS AT 25 °C :

Parameter	Min.	Tip.	Max	Unit	Notes
Power Supply (+Vcc)	4.5	-	9	Volt	
Supply Current	-	-	25	mA	Note 1
Carrier Frequency	868.150	868.300	868.450	MHz	
Output Power (50Ω load)	+10	-	+14	dBm	Note 1
Second Harmonic Level (load 50Ω)	-	-	-30	dBm	
Start-up Time	-	-	30	µs	
Logic Low	-0.7	-	0.4	Volt	
Logic High	4.5	-	5.5	Volt	
Baud Rate	-	-	9600	Baud	

Note 1: +Vcc = 5V, 1 kHz square wave modulation 0-5 V, duty-cycle 50%

MIPOT S.P.A.

Via Corona, n.5
(Zona Ind.)
34701 Cormons (GO)
Italy
Tel.+39 0481 630200 ra.
Fax +39 0481 62387
mipot@mipot.com