

ASK TRANSMITTER

50 Ω Output

868.3 MHz – 3 V version / cod. 3-2000615

DESCRIPTION:

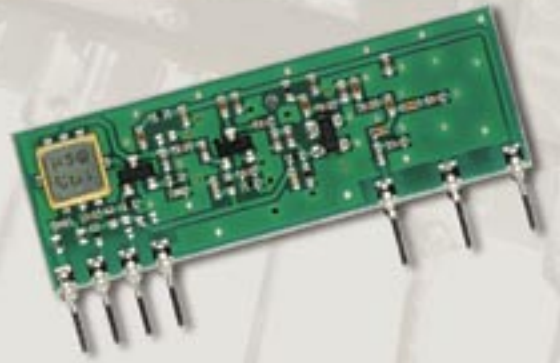
ASK transmitter with SAW resonator, manufactured in SMT technology on printed circuit. Double amplifier stage to improve output power to 25 mW (+14 dBm).

HIGHLIGHTS:

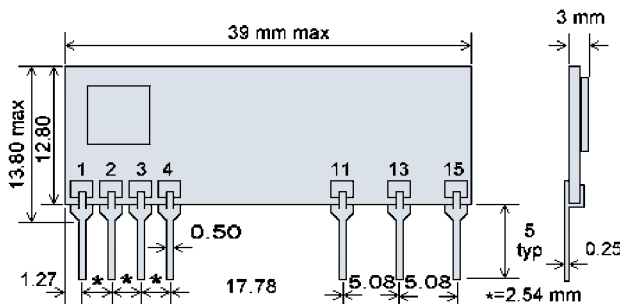
High output power with low supply voltage.
Developed according to I-ETS 300 220 and ETS 300 683 European Standard.

APPLICATIONS:

Domestic Security, Surveillance Systems,
Data Transmission, perfect for battery supply systems.



MECHANICAL CHARACTERISTICS



Pin functions

- 1 = GND
- 2 = Tx DATA
- 3 = NOT CONNECTED
- 4 = GND
- 11 = RF Output(50Ω)
- 13 = GND
- 15 = +Vcc

ABS. MAX. RATINGS

Power Supply, +Vcc, pin 15:	+ 12 Volt
Storage Temperature:	- 40 ÷ + 100 °C
Operating Temperature:	- 20 ÷ + 70 °C

ELECTRICAL CHARACTERISTICS AT 25 °C :

Parameter	Min.	Tip.	Max	Unit	Notes
Power Supply (+Vcc)	2.4	3	3.6	Volt	
Supply Current	-	20	-	mA	Note 1
Carrier Frequency	868.200	868.300	868.400	MHz	
Output Power (50Ω load)	+10	+12	+14	dBm	Note 1
Second Harmonic Level (load 50Ω)	-	-	-30	dBm	
Start-up Time	-	-	30	µs	
Logic Low	-0.7	-	0.4	Volt	
Logic High	2.4	-	+Vcc	Volt	
Baud Rate	-	-	9600	Baud	

Note 1: +Vcc = 3V, 1 kHz square wave modulation 0-3 V, duty-cycle 50%

Note 2: disponibili a richiesta versioni da 5V a 12V

MIPOT S.P.A.

Via Corona, n.5

(Zona Ind.)

34701 Cormons (GO)

Italy

Tel.+39 0481 630200 ra.

Fax +39 0481 62387

mipot@mipot.com